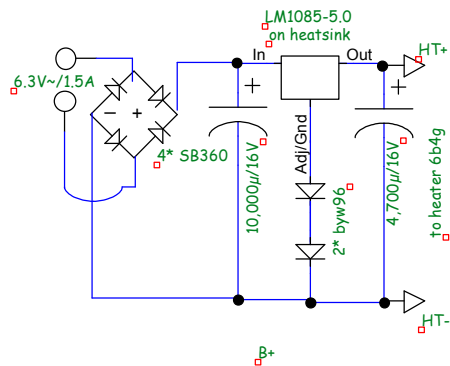
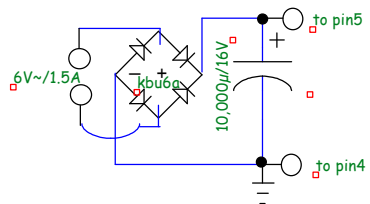


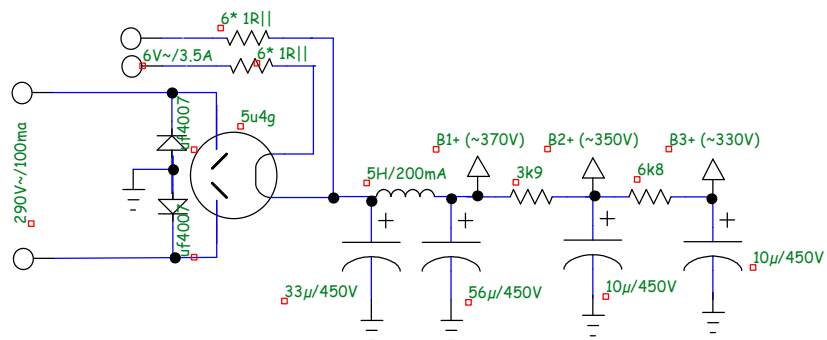
Heater VTR2 (needed twice)



Heater VTR1 (needed once)

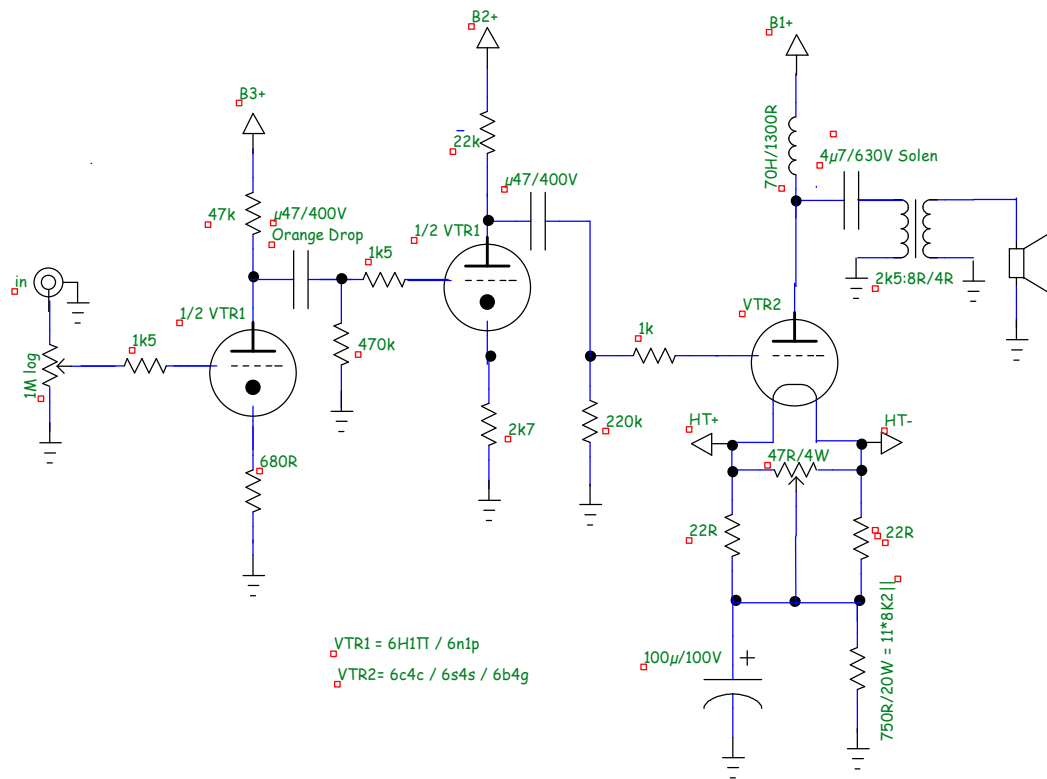


main PS (needed twice)



Amp (1 channel -> needed twice)

The 6C4Cs are biased at ~60mA in this circuit



VTR1 = 6H1TT / 6n1p

VTR2= 6c4c / 6s4s / 6b4g

All R's 2W unless otherwise noted



**DANGER**

**DISCLAIMER**

No responsibility is taken for the correctness of the schematics. They are partly simplified (no fuses, no mains switches ...). More info at [www.valviac.com](http://www.valviac.com) (READ the impressum)!

**!!! USE AT YOUR OWN RISK !!!**



**High voltage**

Title towarišc solcnekot	
Author www.valviac.com	
File E:\RS\valviac\schematics\towarišcSolcnekot-V2.dsn	Document
Revision 2.0	Sheets 1 of 1
Date 3. Mar. 2007	