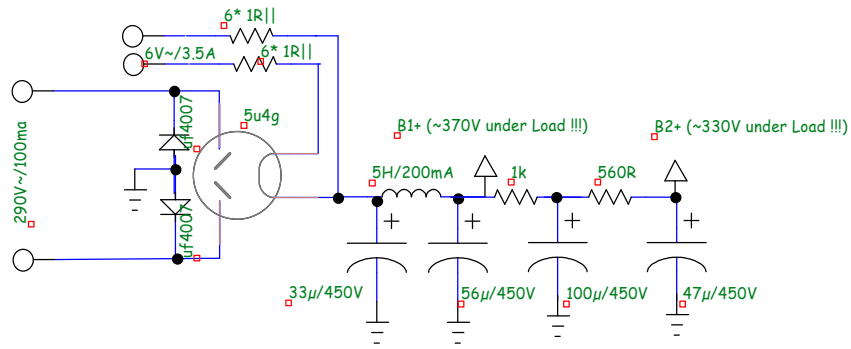
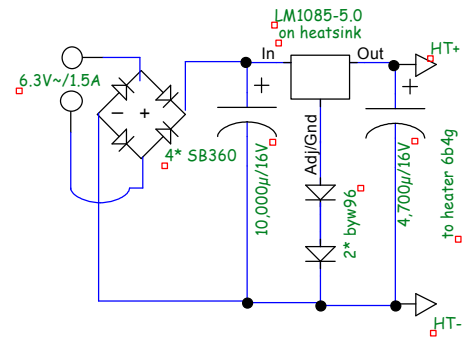


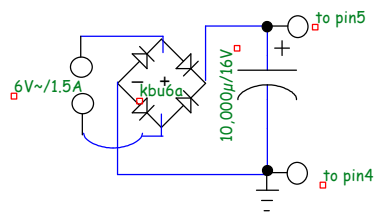
main PS (needed twice)



Heater 6b4g (needed twice)

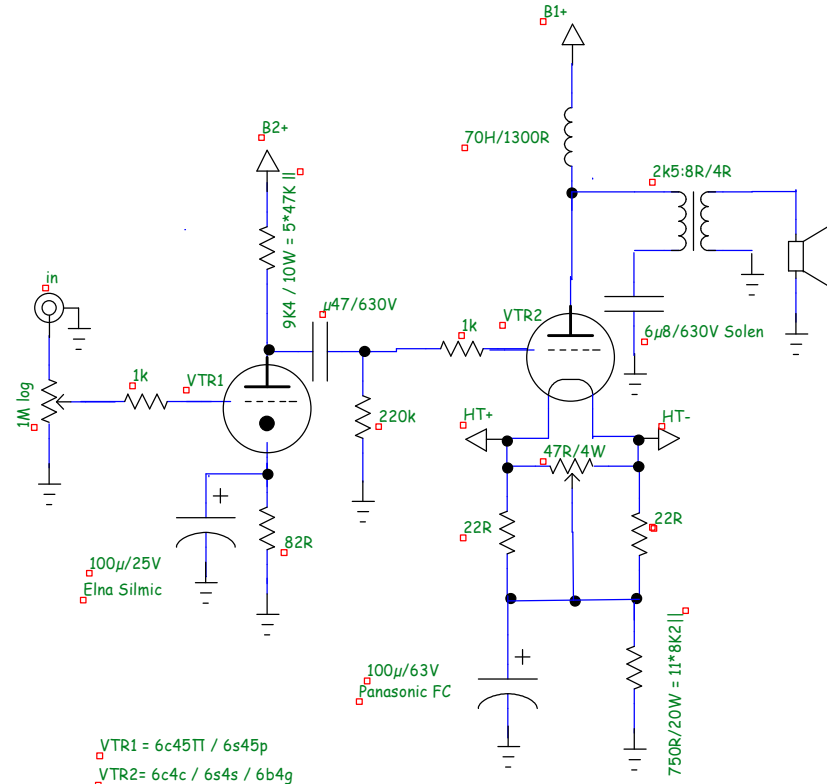


Heaters 6c45pi's



Amp (1 channel -> needed twice)

The 6C4Cs are biased at ~60mA in this circuit



VTR1 = 6c45T / 6s45p
 VTR2= 6c4c / 6s4s / 6b4g

All R's 2W unless otherwise noted

Title towarišc prosto		Document	
Author www.valviac.com		File D:\USERS\valviac\schematics\towarišcProsto	
Revision 1.1	Date 25. Feb. 2007	Sheets 1 of 1	