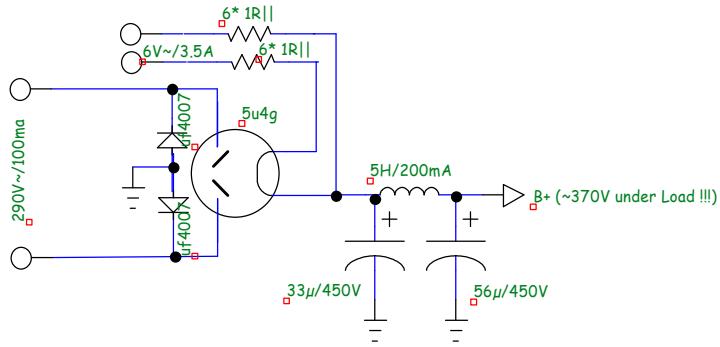
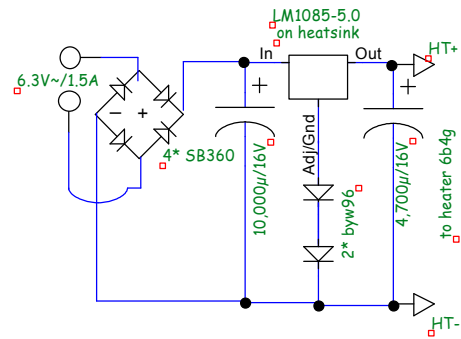


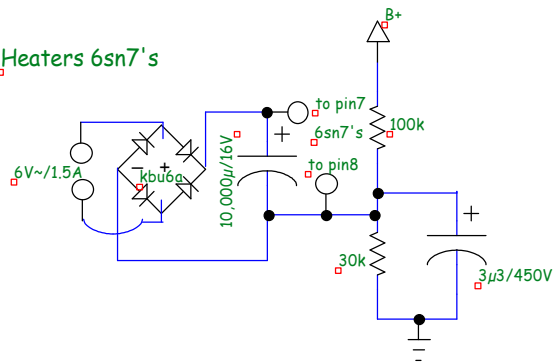
main PS (needed twice)



Heater 6b4g (needed twice)

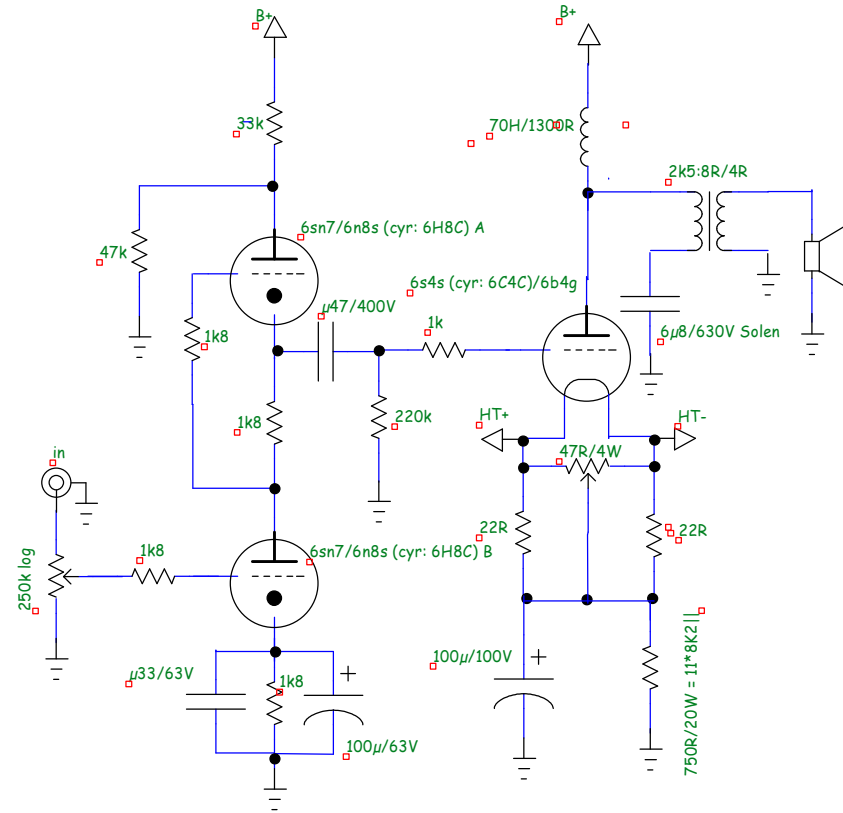


Heaters 6sn7's



Amp (1 channel -> needed twice)

The 6C4Cs are biased at ~60mA in this circuit



All R's 2W unless otherwise noted



Disclaimer

No responsibility is taken for the correctness of the schematics. They are partly simplified (no fuses, no mains switches ...). Furthermore ANY commercial use is PROHIBITED without written permission of the respective owner.

More info at www.valvac.com
Read the impreZZm

!!! USE AT YOUR OWN RISK !!!



Title towarišć2 (6C4C single ended & parafeeded)		
Author www.valvac.com		
File D:\USERS\valvac\schematics\towarisc2.dsn	Document	
Revision 1.1	Date 11. Feb. 2006	Sheets 1 of 1