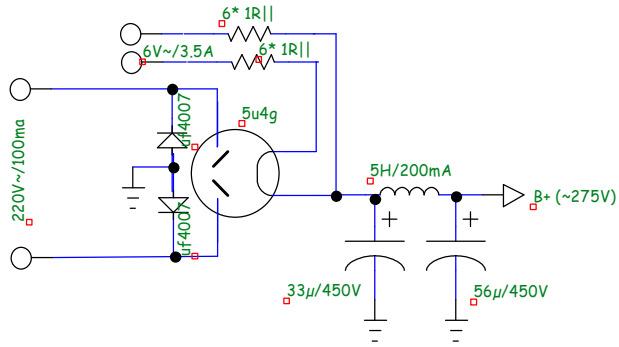
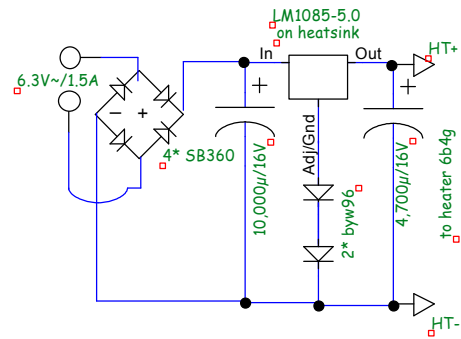


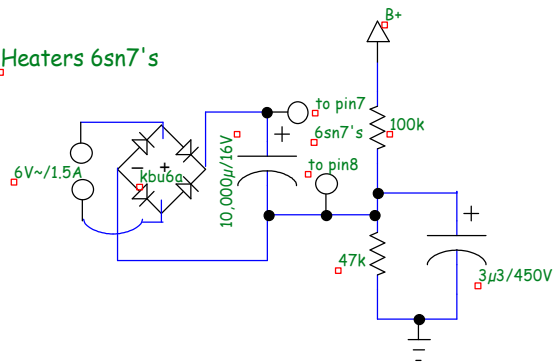
main PS (needed twice)



Heater 6b4g (needed twice)

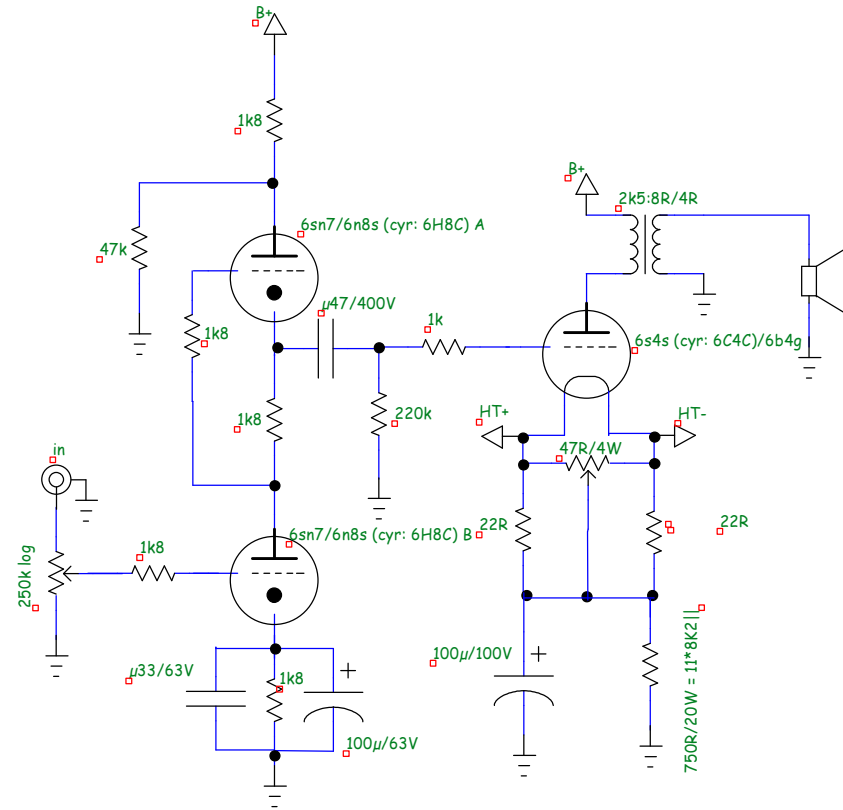


Heaters 6sn7's



Amp (1 channel -> needed twice)

original amp schematic (c) www.triodedick.com
 (http://members.home.nl/triode.dick/everymens_se_amp_6b4g.html)



All R's 2W unless otherwise noted



Disclaimer

No responsibility is taken for the correctness of the schematics. They are partly simplified (no fuses, no mains switches ...). Furthermore ANY commercial use is PROHIBITED without written permission of the respective owner.

More info at www.valviac.com
Read the impreZZim

!!! USE AT YOUR OWN RISK !!!



Title towarišc (6C4C single ended)		
Author www.valviac.com		
File D:\USERS\valviac\schematics\towarisc.dsn	Document	
Revision 1.1	Date 15. Dec. 2005	Sheets 1 of 1