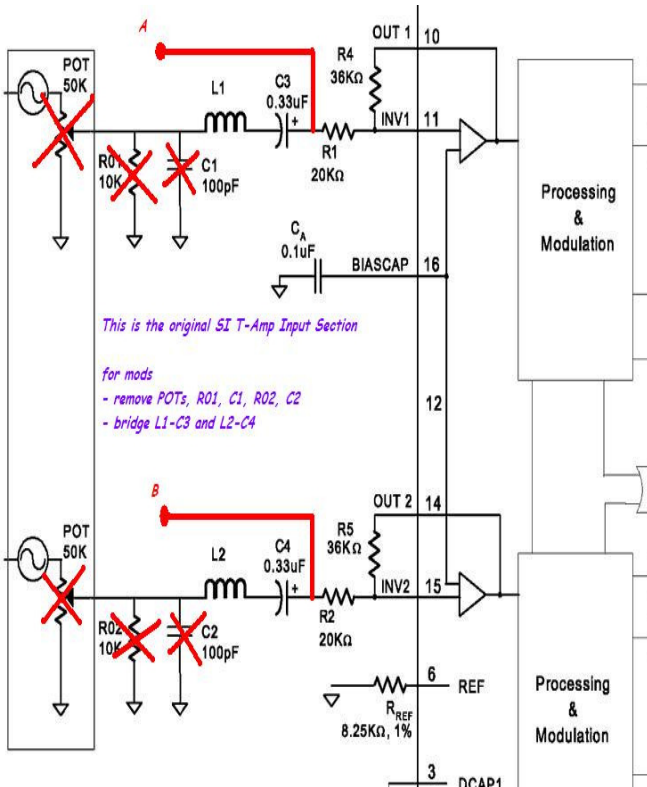
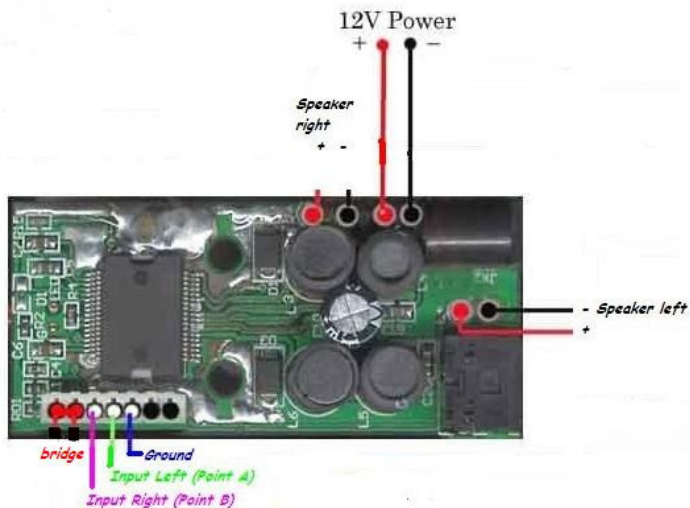


Tripath 2024/SI 5066 (2 channels) with modified input

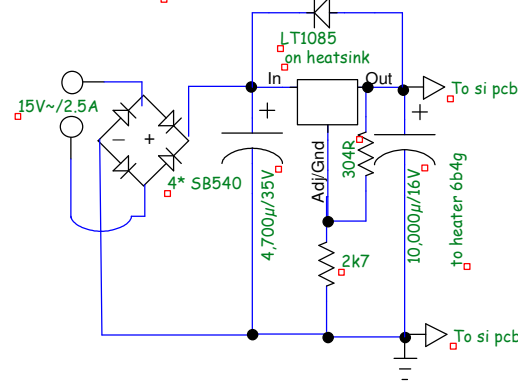
!!! modified Input (removed R01, C1, R02, C2 bridged L1, C3, L2, C4) from orig. SI pcb !!!



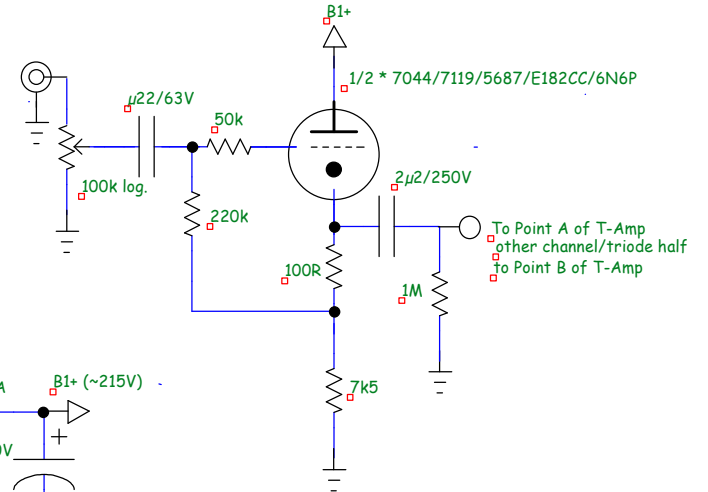
SI T-Amp Connection Points



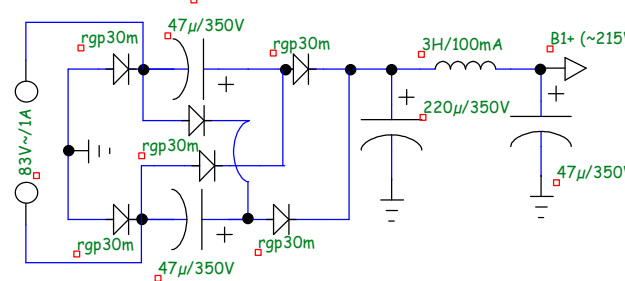
PowerSupply T-Amp



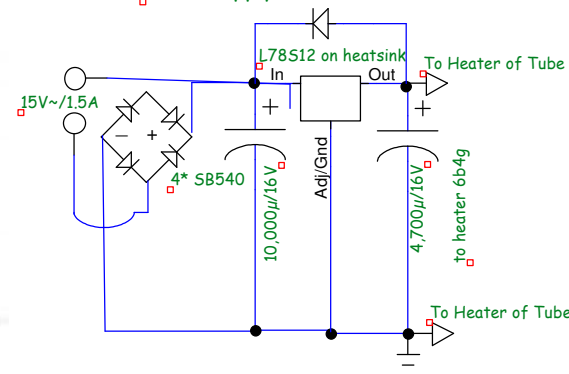
The Tube Section CF (1 channel -> needed twice)



PowerSupply Triode Section



PowerSupply Heaters Triode



All R's 2W unless otherwise noted



Disclaimer

No responsibility is taken for the correctness of the schematics. They are partly simplified (no fuses, no mains switches ...). Furthermore ANY commercial use is PROHIBITED without written permission of the respective owner.

More info at www.valviac.com
Read the impreZZm

!!! USE AT YOUR OWN RISK !!!



Title		
the sansuTubeTamp		
Author		
www.valviac.com		
File	Document	
JSERS\valviac\schematics\sansuTubeT-Amp.dsn		
Revision	Date	Sheets
1.2	20. Feb. 2005	1 of 1