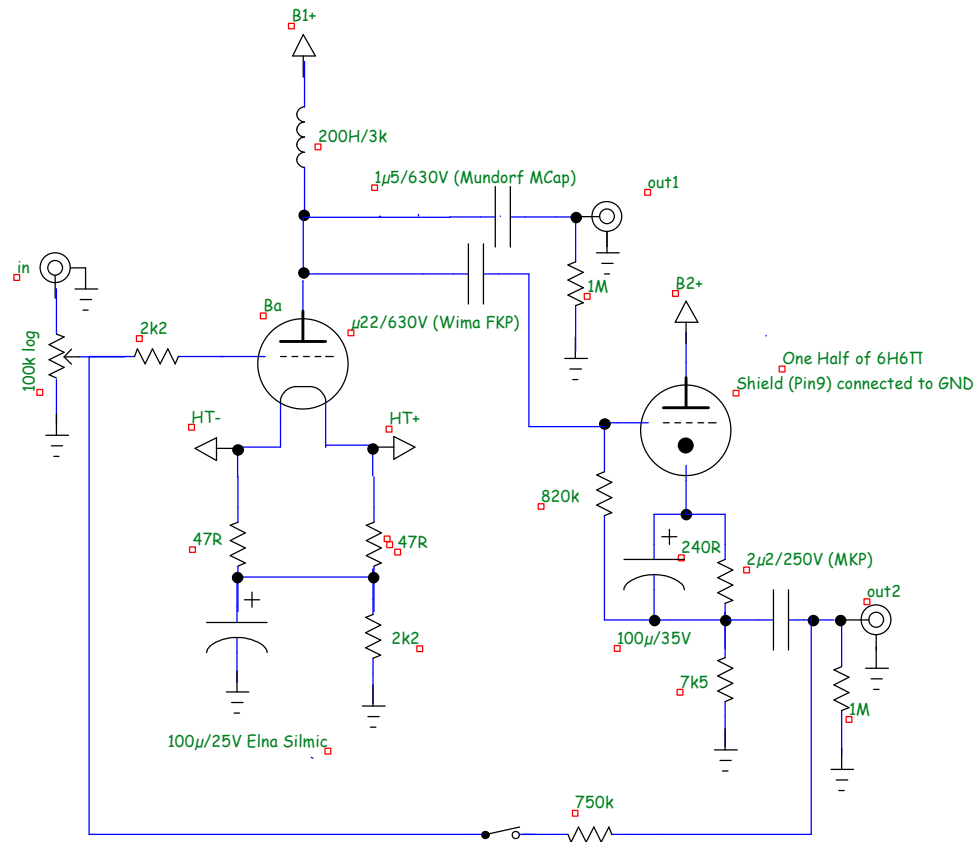


PreAmp (1 channel -> needed twice)



!!! All R's 2W unless otherwise noted !!!



Disclaimer

No responsibility is taken for the correctness of the schematics. They are partly simplified (no fuses, no mains switches ...)

Furthermore ANY commercial use is PROHIBITED without written permission of the respective owner.

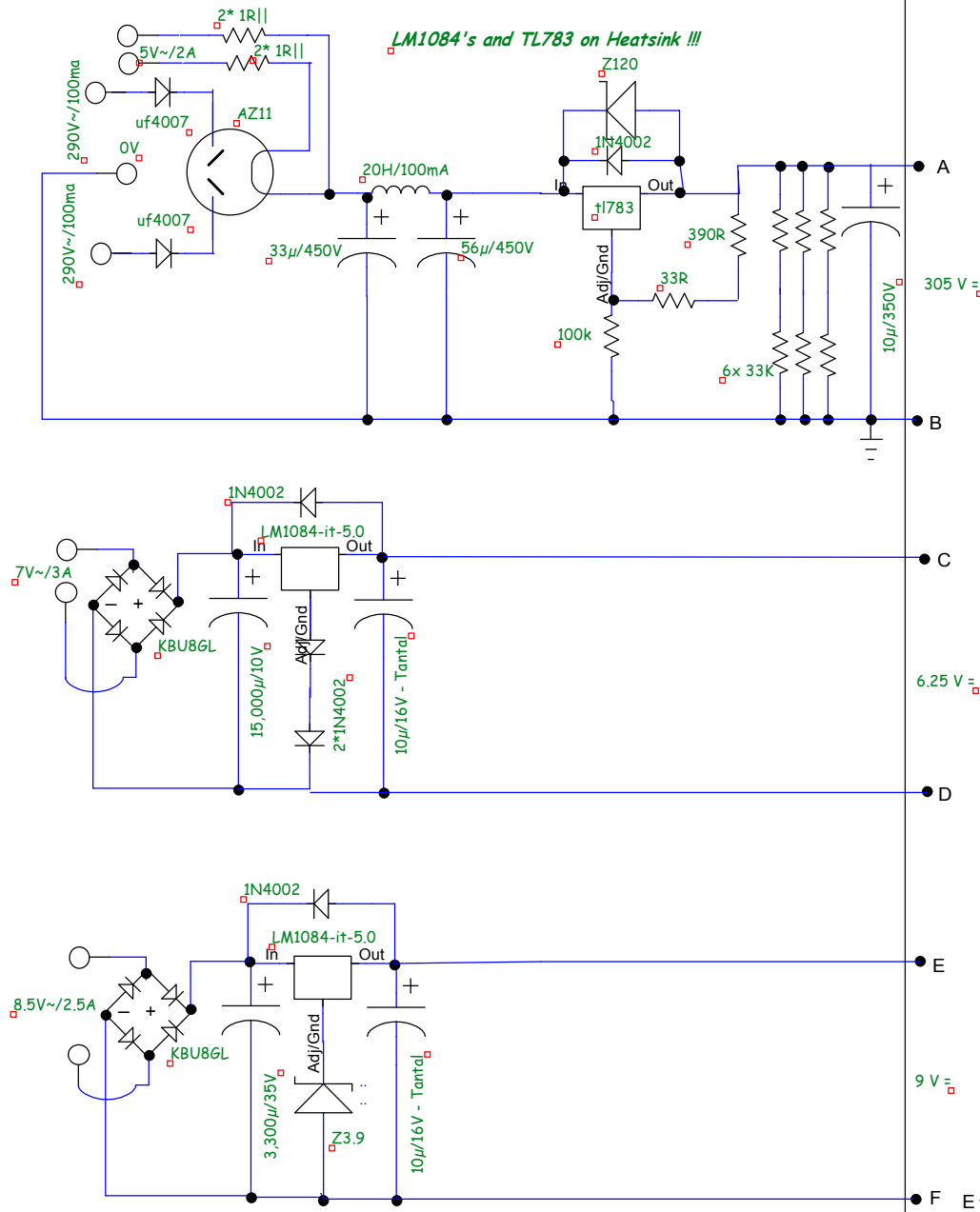
More info at www.valviac.com
Read the impreZZm

!!! USE AT YOUR OWN RISK !!!

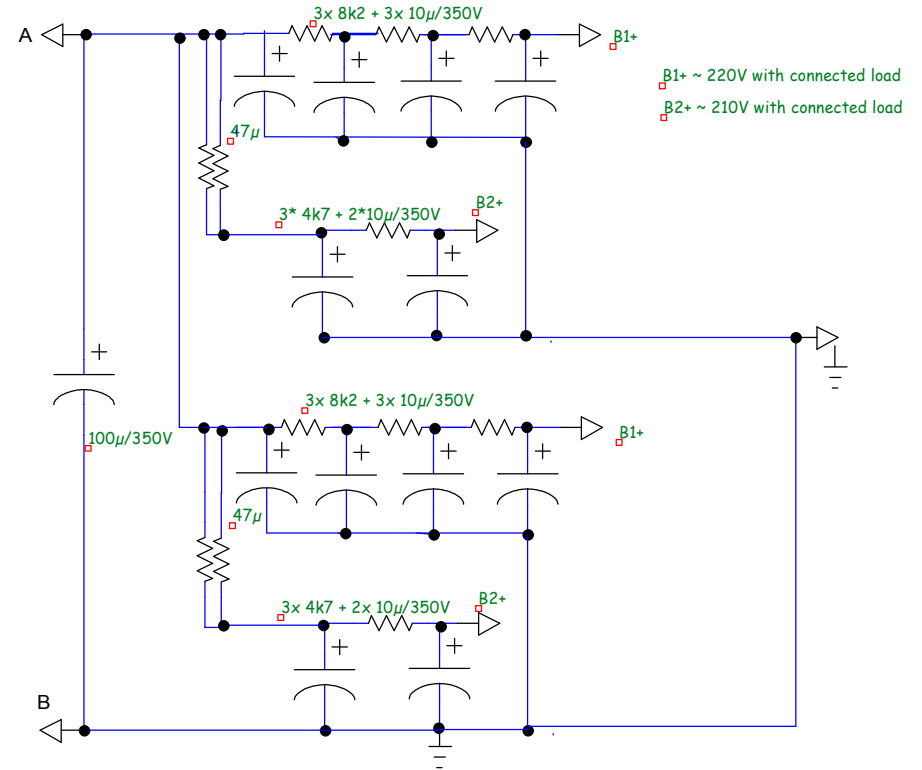


Title Der BaRBaR (Line-PreAmp)		
Author www.valviac.com		
File D:\USERS\valviac\schematics\BaRBaR2-0.dsn	Document	
Revision 2.0	Date 03. Feb. 2007	Sheets 1 of 2

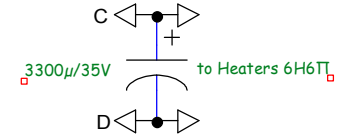
main PS (in extra chassis)



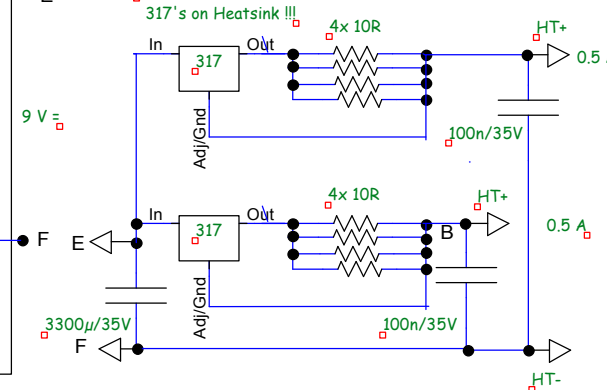
Power for Ba and 6H6TT (all 2 Channels)



Heaters 6H6TT (all 2 Channels)



Heaters Ba (all 2 Channels)



!!! All R's 2W unless otherwise noted !!!



Disclaimer

No responsibility is taken for the correctness of the schematics. They are partly simplified (no fuses, no mains switches ...). Furthermore ANY commercial use is PROHIBITED without written permission of the respective owner.

More info at www.valvac.com
Read the impreZZm

!!! USE AT YOUR OWN RISK !!!



Title Der BaRBar (Line-PreAmp)		Document
Author www.valvac.com		
File D:\USERS\valvac\schematics\BaRBar2-0.dsn		Document
Revision 2.0	Date 03. Feb 2007	Sheets 2 of 2