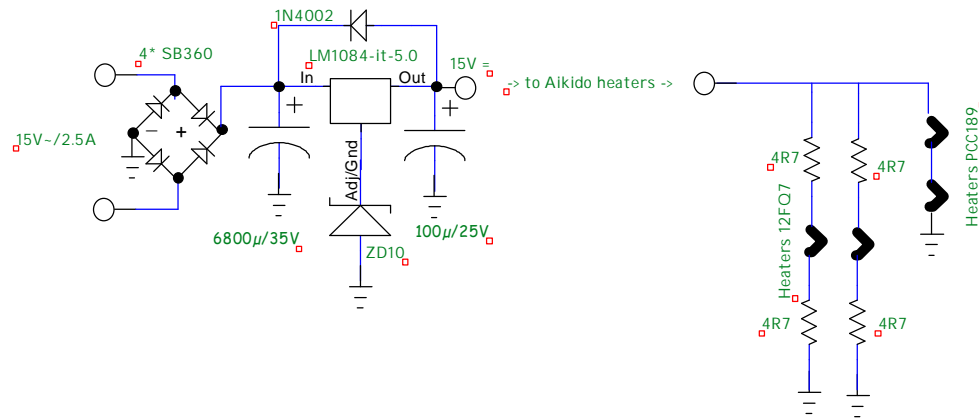
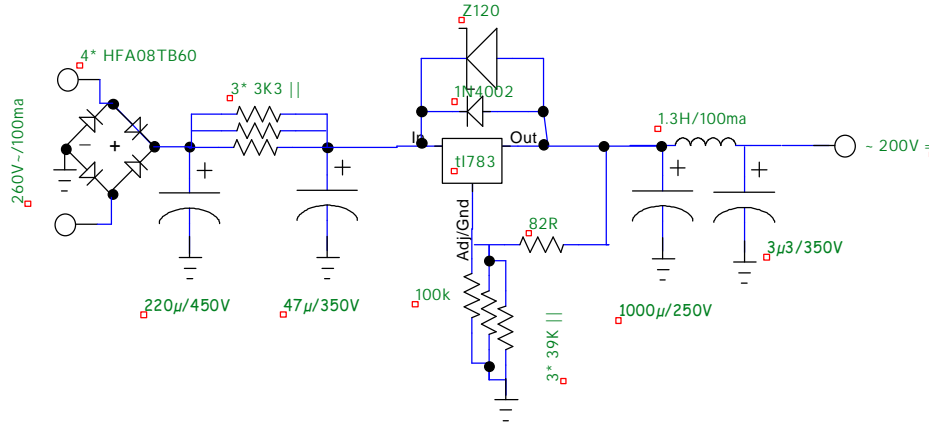



LM1084's and TL783 on Heatsink !!!



!!! All electrolytics with µ043 KP in parallel !!!

!!! All R's 2W unless otherwise noted !!!




Disclaimer

No responsibility is taken for the correctness of the schematics. They are partly simplified (no fuses, no mains switches ...). Furthermore ANY commercial use is PROHIBITED without written permission of the respective owner.

More info at www.valviac.com
Read the impreZZm

!!! USE AT YOUR OWN RISK !!!



DANGER High voltage

Title SansAikido PowerSupply		
Author www.valviac.com		
File _valviac\cad-schematics\audio-SansAikidoPSU.dsn	Document	
Revision 2.0	Date 03. Oct. 2009	Sheets 1 of 1