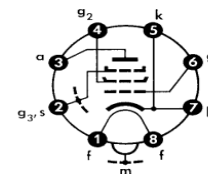
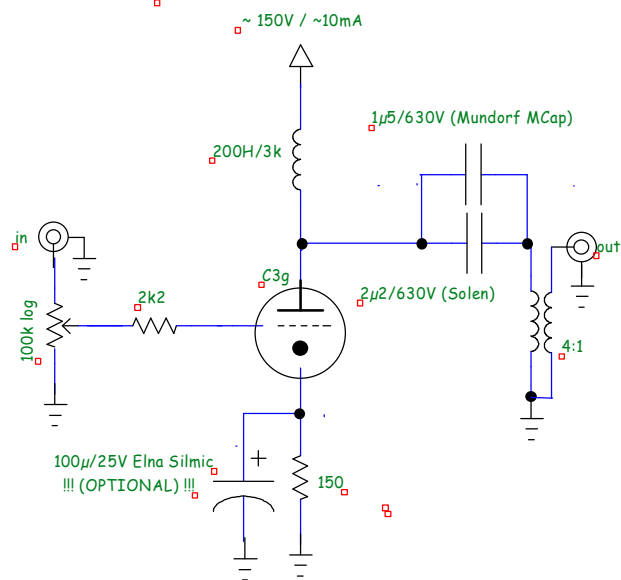


## 3uridiCGe PreAmp (1 channel)

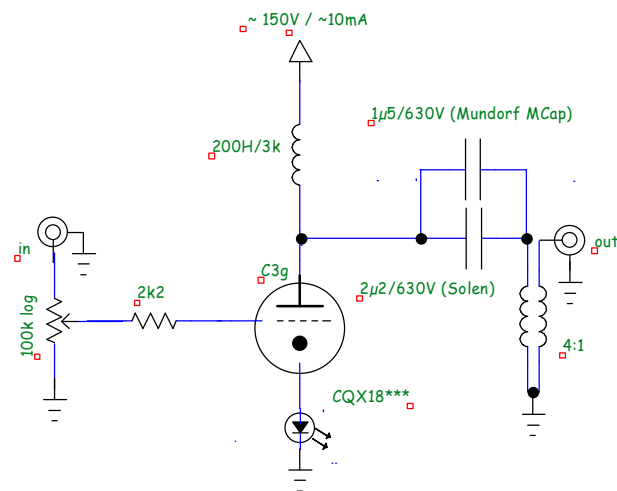
C3g wired as Triode  
g2 -> a # g3 -> k



### Traditional: Self Bias




### Alternative: LED Bias



\*\*\* any other Infrared LED (UF ~ 1.2V ... 1.5V) should do

!!! All R's 2W unless otherwise noted !!!




*Disclaimer*

No responsibility is taken for the correctness of the schematics. They are partly simplified (no fuses, no mains switches ...)

Furthermore ANY commercial use is PROHIBITED without written permission of the respective owner.

More info at [www.valviac.com](http://www.valviac.com)  
Read the impreZZm

**!!! USE AT YOUR OWN RISK !!!**



Title		
3uridiCGe (Line-PreAmp)		
Author		
www.valviac.com		
File	Document	
USERS\valviac\cad-schematics\3uridiCGeLED.dsn		
Revision	Date	Sheets
1.0	19. Sep. 2009	1 of 1